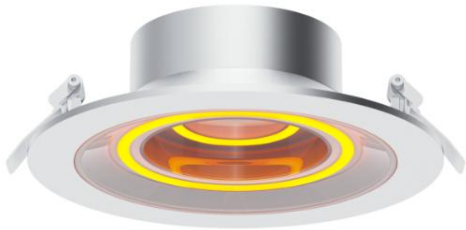


# PRODUCT DATASHEET

## Fila Ring-Echo



---

### Area of application

- Living areas
- Office
- School

---

### Product benefit

- 3 shapes corresponding to 3 beam angles, flexible and wide range of applications
- Decorative and practical combine to enhance the lighting of the space
- The world's first filament light source downlight, away from the tedium of traditional downlights, adding ambience and sophistication to the ceiling

---

### Product feature

- Recessed



## TECHNICAL DATA

### Electrical data

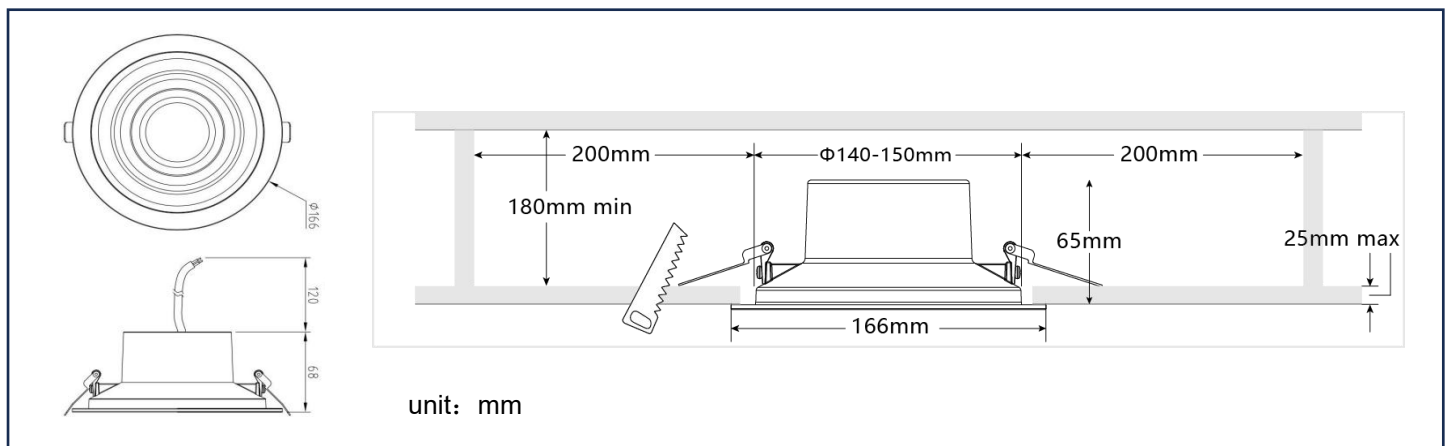
Nominal wattage	7 W
Nominal voltage	120 V
Mains frequency	60 Hz
Nominal current	60 mA
Protection class	II
Displacement factor	≥0.5

### Photometrical data

Luminous flux	600 lm
Total luminous flux of contained light sources	600 lm
Luminous efficacy	85 lm/W
Color temperature	2700 K
Light color (designation)	Soft White
Color rendering index Ra	> 80
Standard deviation of color matching	< 6 sdc <sub>m</sub>
Flickering metric (Pst LM)	≤1.0
Stroboscope effect metric (SVM)	≤0.4
Photobiological safety group acc. to EN62778	RG0
Photobiological safety group acc. to EN62471	RG0
Beam angle	120°

### Photometrical data

Length	166 mm(6.5")
Width	166 mm(6.5")
Height	68 mm(2.7")
Product weight	377 g



## Materials & Colors

Product color	White/Smoky
Housing color	Transparent
Body material	Alumium Plastic

## Materials & Colors

Ambient temperature range	-20 °C...40 °C
Type of connection	Hardwire
Location	Dry
Dimmable	Dim
Mounting type	Recessed
Application environment	Indoor
LED module replaceable	Not replaceable
With light source	Yes

## Lifespan

Lifespan L70/B50 at 25 °C	25000 h
Number of switching cycles	50000

1)  $t_{fh}$ : L70 / B50 @ 25 °C (Ta),  $t_{fh}$ : L80 / B10 @ 25 °C (Ta),  $t_{fh}$ : L90 / B10 @ 25 °C (Ta)

## Certificates & Standards

Standards	CE
-----------	----

---

**EQUIPMENT / ACCESSORIES**

- N/A

---

**LOGISTICAL DATA**

Product code	Packaging unit (Pieces/Unit)	Dimensions (length x width x height)	Gross weight	Volume
20102000002	colour box	205 mm x 205 mm x 110 mm	541 g	0.0046 m <sup>3</sup>
20102000002	Shipping box	426 mm x 426 mm x246 mm	3820 g	0.045 m <sup>3</sup>

---

The mentioned product code describes the smallest quantity unit which can be ordered. One shipping unit can contain one or more single products. When placing an order, for the quantity please enter single or multiples of a shipping unit.

---

**DISCLAIMER**

Subject to change without notice. Errors and omission excepted. Always make sure to use the most recent release.