

PRODUCT DATASHEET

Fila Ceiling-Square



Area of application

- Living areas
- Bars and restaurants
- Office

Product benefit

- With the transparent cover, the light source can be directly presented, and the spiral filament is both illuminating and highly decorative
- Minimalist design that solidifies the path of light in the container
- Specially designed mounting disk and connection structure for easier installation

Product feature

- Ceiling and wall luminaires



TECHNICAL DATA

Electrical data

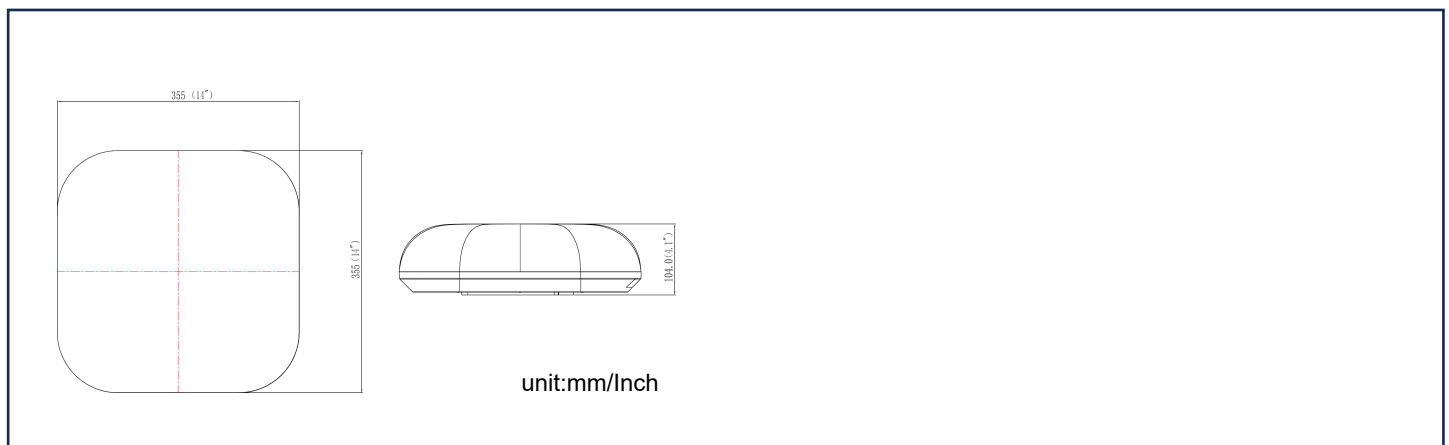
Nominal wattage	17 W
Nominal voltage	120 V
Mains frequency	60 Hz
Nominal current	80 mA
Protection class	II
Displacement factor	≥0.7

Photometrical data

Luminous flux	1800 lm(White)/1500 lm(Amber)/1000 lm(Smoky)
Total luminous flux of contained light sources	1800 lm(White)/1500 lm(Amber)/1000 lm(Smoky)
Luminous efficacy	105 lm/W(White)/88 lm/W(Amber)/58 lm/W(Smoky)
Color temperature	2700 K(White)/2200 K(Amber)/1800 K(Smoky)
Light color (designation)	Soft White(White)/Amber Light(Amber)/Amber Light(Smoky)
Color rendering index Ra	> 80
Standard deviation of color matching	< 6 sdcn
Flickering metric (Pst LM)	≤ 1.0
Stroboscope effect metric (SVM)	≤ 0.4
Photobiological safety group acc. to EN62778	RG0
Photobiological safety group acc. to EN62471	RG0
Beam angle	180°

Photometrical data

Length	355 mm(14")
Width	355 mm(14")
Height	104 mm(4.1")
Product weight	1500 g



Materials & Colors

Product color	White/Amber/Smoky
Housing color	Transparent/Amber/Smoky
Body material	PP ABS PC

Materials & Colors

Ambient temperature range	-20 °C...40 °C
Type of connection	Hardwire
Location	Dry
Dimmable	Yes
Mounting type	Surface
Application environment	Indoor
LED module replaceable	Not replaceable
With light source	Yes

Lifespan

Lifespan L70/B50 at 25 °C	25000 h ¹⁾
Number of switching cycles	50000

1) t[h]: L70 / B50 @ 25 °C (Ta), t[h]: L80 / B10 @ 25 °C (Ta), t[h]: L90 / B10 @ 25 °C (Ta)

Certificates & Standards

Standards	CE/ETL/FCC/RohS/REACH
-----------	-----------------------

EQUIPMENT / ACCESSORIES

- Mounting screws and dowels included

LOGISTICAL DATA

Packaging unit (Pieces/Unit)	Dimensions (length x width x height)	Gross weight	Volume
Color box(1pcs/1box)	420 mm x 420 mm x 158 mm	2221 g	0.028 m ³
Shipping box(6pcs/1box)	433 mm x 433 mm x 503 mm	5021 g	0.094 m ³

DISCLAIMER

Subject to change without notice. Errors and omission excepted. Always make sure to use the most recent release.